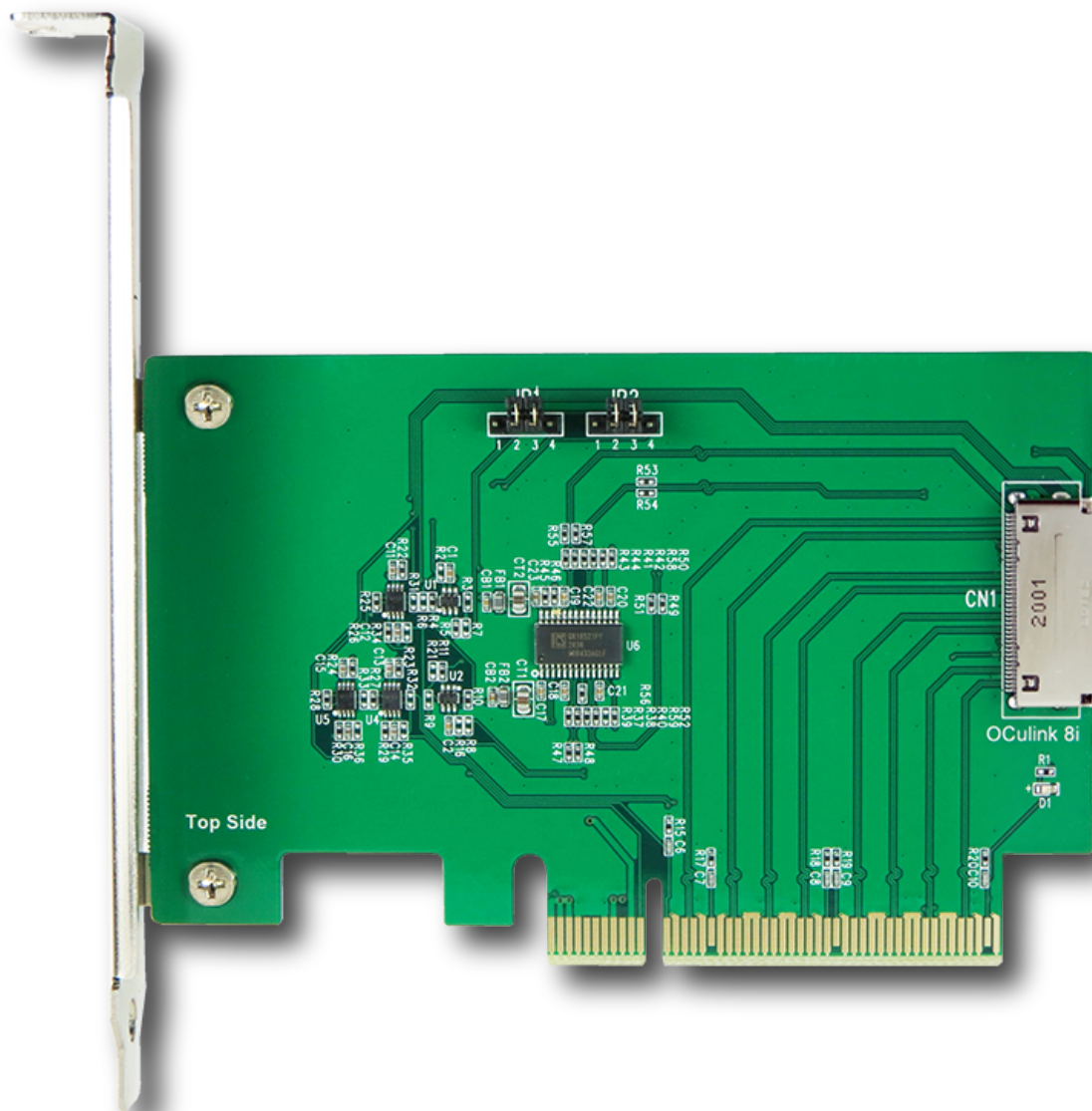


Innocard

# Minerva

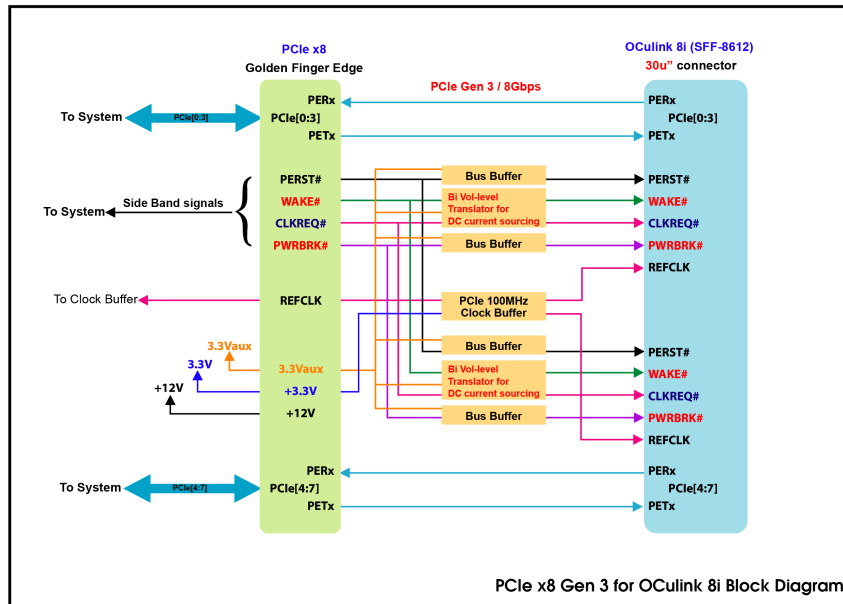
## PE0805

PCIe x8 Gen 3 to OCulink 8i (SFF-8612) AIC



※ PCIe Single-width, passive riser/slot saver installs in standard PCIe slot and supports x1, x4, x8 signals add-in card.

# PCIe x8 Gen 3 to OCulink 8i (SFF-8612) AIC



## Features

- ※ OCulink 8i (SFF-8612) to PCIe x8 Gen 4 convert
- ※ The PE0805 AIC can be offered in two x4(need CPU and BIOS both support) or can be extended PCIe x8 data width link.
- ※ Built-in PCIe 100MHz Clock buffer, default Zout=100 ohm to drive longer trace length and longer cable length.
- ※ Built-in PERST# Bus Buffer Gate to be used over longer trace lengths and over longer cable length.
- ※ Built-in WAKE# Bidirectional Voltage-Level for dc current sourcing capability to be used over longer trace lengths and longer over cable length.
- ※ Built-in CLKREQ# Bidirectional Voltage-Level for dc current sourcing capability to be used over longer trace lengths and longer over cable length.
- ※ Support SFF-9402 Define Mini SAS HD(SFF-8643) Sideband signals(PERST#, CLKREQ#, WAKE#) pin out
- ※ Support Intel Sideband signals(PERST#, CLKREQ#, WAKE#) pin out

## Specifications

- ※ Compliant with SFF-9402
- ※ Support PCI Express Base Specification Rev 3.0
- ※ Support PCIe CEM Rev3.0
- ※ Compliant with PCI\_Express\_OCulink\_1.0a

## Application

- ※ Servers
- ※ HBA(Host Bus Adapter)
- ※ Data Center
- ※ Storage Racks
- ※ Storage Controller
- ※ Servers RAIDs(Redundant Array of Independent Disks)
- ※ Routers
- ※ Switches

## Operating system support:

- ※ VMware
- ※ Linux
- ※ Windows Series OS
- ※ UEFI 2.3.1 or later